

- Back**
- PushPull Power
 - Flat Cable Connectors SEK
 - *har-mik®*
 - D-Sub
 - InduCom

- **Applications**

Product details

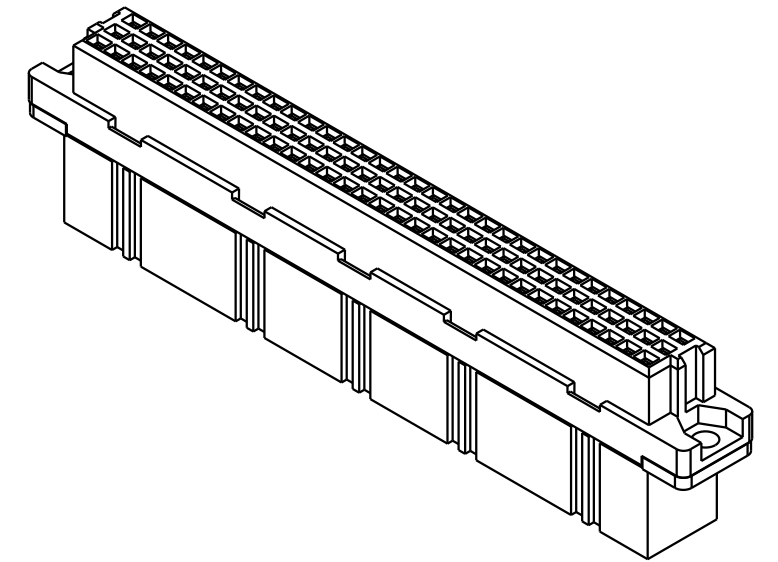
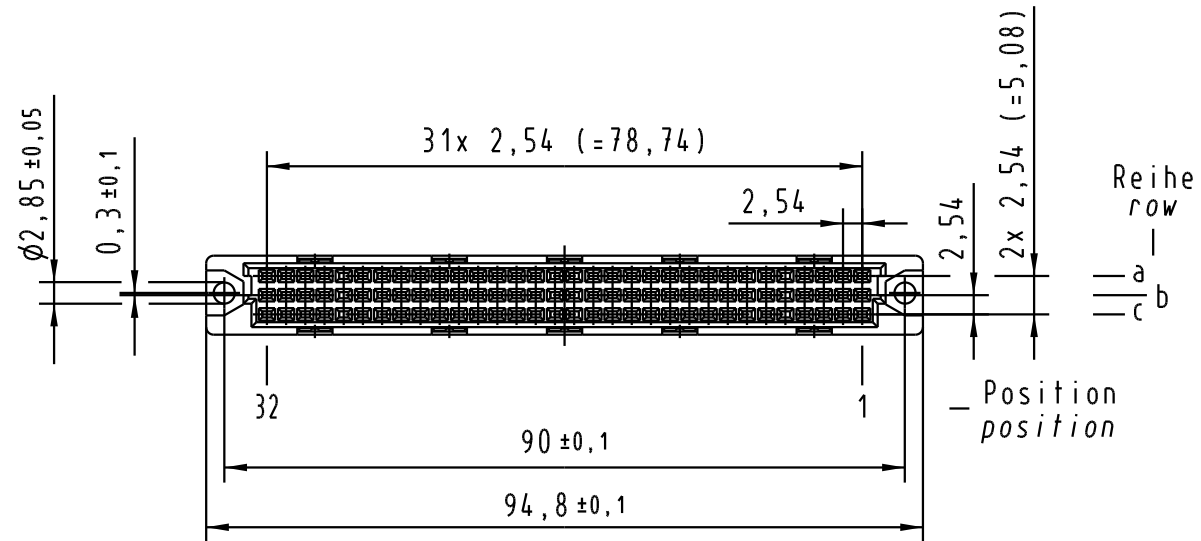
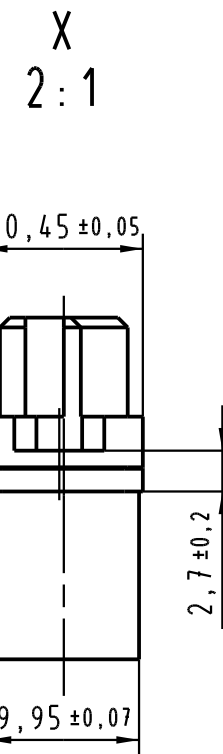
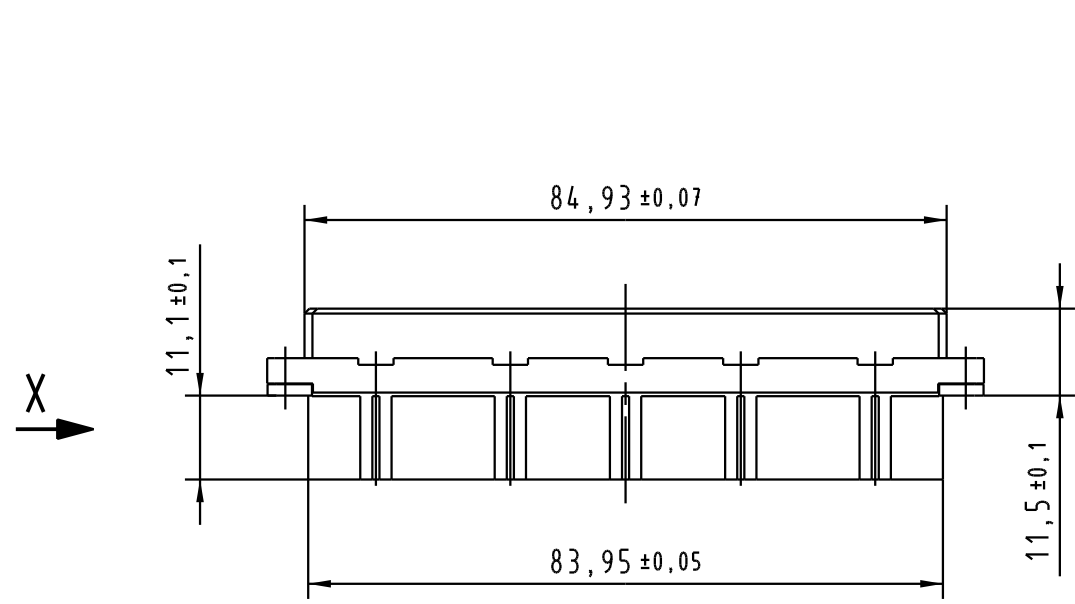
09 03 096 3214 **Cable connector**



Type	Type C
Standard/Inverse	Standard
Contact gender	Female contacts
Size	Whole size
Number of contacts	96 poles
Contact arrangement	Rows a, b and c
Termination	Crimp contacts
Performance Class	none
Contacts	Order contacts separately
Coding facility	without coding facility
Current	2 A max.
Clearance/ Creepage	1.2 / 1.2 mm min.
RoHS compliant	Yes

Inquiry

Available Downloads

Alle Rechte vorbehalten. All rights reserved



 All Dimensions in mm Original Size DIN A 3		Techn. Character. ergänzend/complementary IEC 60603-2			Nicht tolerierte Maß/Free size tolerances ergänzend/complementary IEC 60603-2		
		Dat. 21.11.05		Name Leh.		Maßstab/Scale 1:1 (2:1)	
		Insp. 21.11.05		kfoe.			
		Stand.					
33119 Mod.		Dat.		Name		HARTING Electronics GmbH & Co. KG D-32339 ESPELKAMP 	
						TB 09 03 096 3214 Sub.	
						Blatt/page	